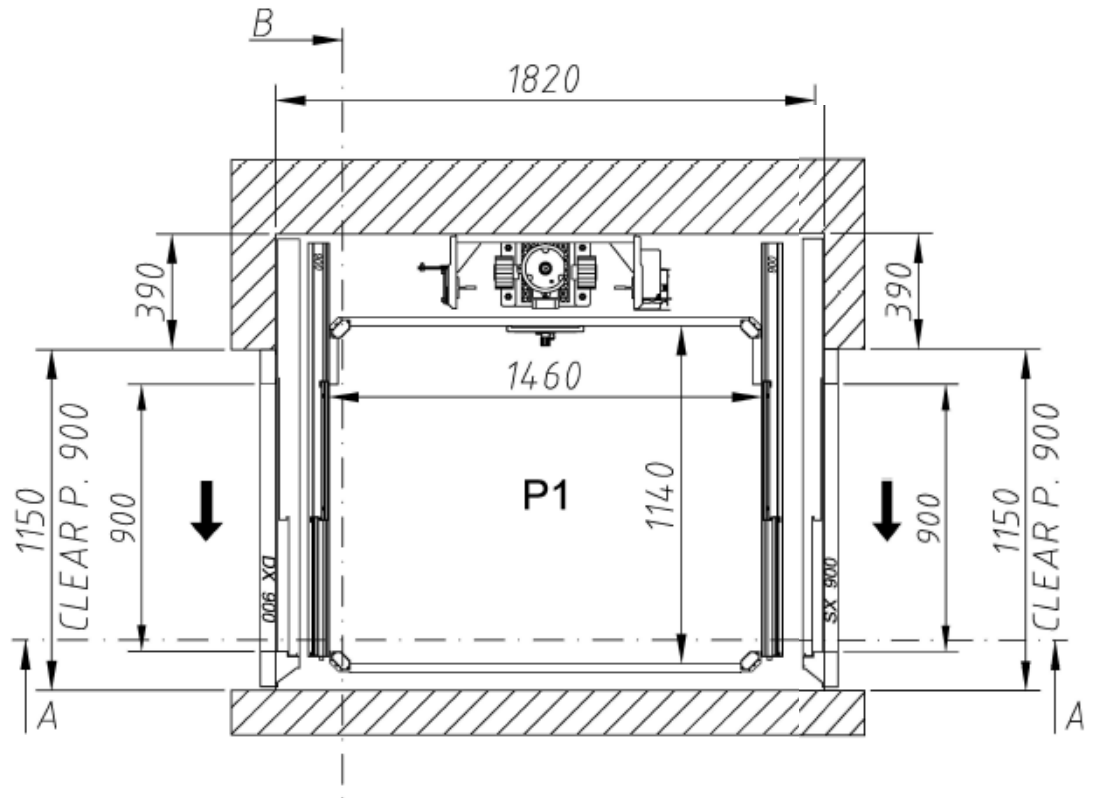


NOTE THIS DRAWING IS FOR GUIDANCE ONLY AND MUST NOT BE USED AS A PROPER WORKING DRAWING. FOR ENQUIRIES ABOUT THE LIFT PLEASE CONTACT 061 922 903



LIFT STD SPECIFICATION

Load capacity	300kg
Drive system	Traction Belt
Speed	0.15 m/s
Maximum number of stops	5
Maximum Travel	14.6m
Pit Depth	120mm
Headroom	2600mm
Power	230V-mono AC – 50Hz
Motor	1.5 kW
Cabin COP	Full height Vertical
Car Controls	One Touch
Landing Controls	One Touch
Cabin Ceiling	LED bar
Cabin Finish	Skin-plate
Door Type	Telescopic
Door Finish	Skin-plate
Communication	Telephone

Structure	Shaft by others
Structure Finish	Built to withstand the loadings issued on job specific drawing.

Options

- LCD Display
- Voice Announcement
- Cabin Mirror
- Handrail
- Auto-dialer
- Numerous Cabin Finishes
- Stainless Steel Cabin/Landing doors
- 120min Fire rated doors



PREMIER LIFTS
www.lifts.ie

Premier Lifts, Glean Glas House,
Tuamgraney, Co. Clare, Ireland.
Tel: 061 922 903 Email: info@lifts.ie
Fax: 061 922 904 Web: www.lifts.ie

ECO700 – Shaft by others -1460mm x 1170mm
Through Entry/Exit – Telescopic doors

DWG NO - 0002

REV - A

SCALE
NTS

DATE
01/12/2017

DRAWN
APG