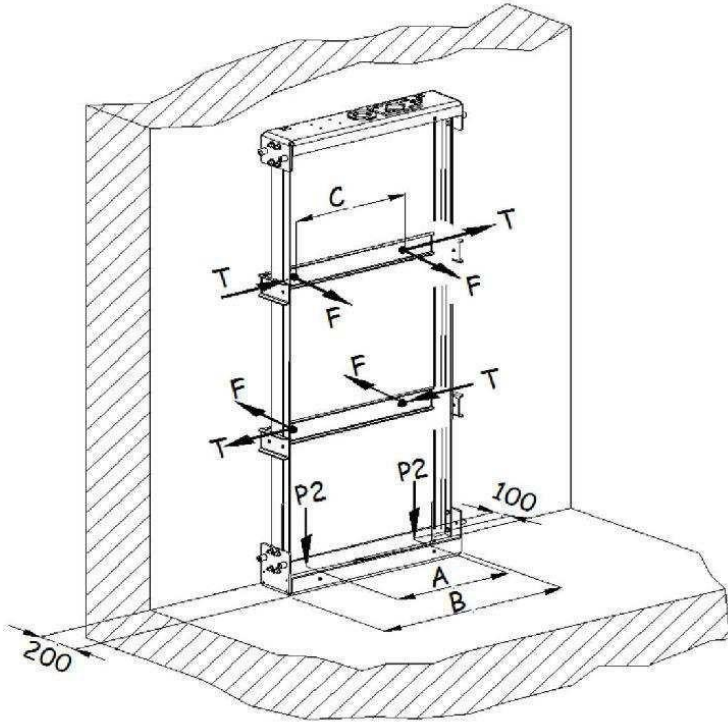




LOAD ON THE BASEMENT & ON THE RAIL SUPPORT

PROJECT DATA

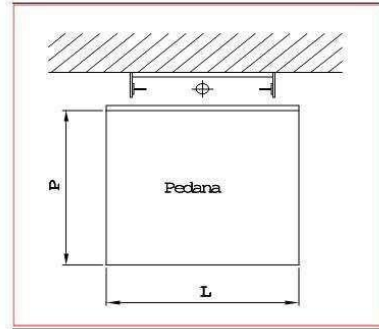


Q =	400	Kg
L =	1400	mm
P =	1100	mm
A =	830	mm
B =	900	mm
C =	650	mm

- Q = Load
- L = Platform width
- P = Platform depth
- A = Distance between "P2" load
- B = Base plate width
- C = Distance between connection

TRAVEL (mm)

1100 - 1600 - 2100 -2600 -2990



VERTICAL LOAD OF THE EQUIPMENT ON THE BASEMENT PLATE

	P2 (kg)	
TRAVEL 1100	480	_____
TRAVEL 1600	490	_____
TRAVEL 2100	500	_____
TRAVEL 2600	510	_____
TRAVEL 2990	520	_____

HORIZONTAL LOAD OF THE EQUIPMENT ON THE RAIL FIXING

	Centred load F (kg)	Maximum load decentralised on the platform F (kg) T (kg)	
TRAVEL 1100 - 1600 - 2100 -2600 -2990	251	221	76

