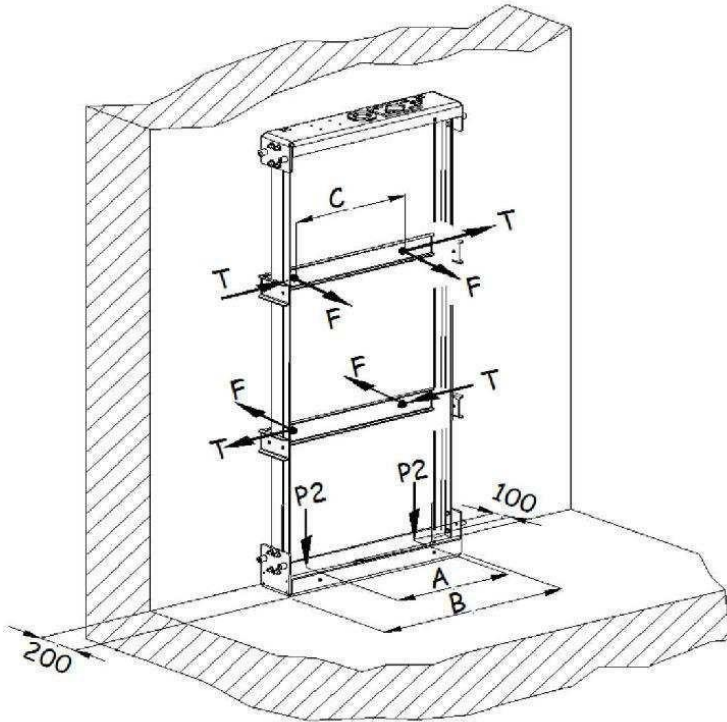




**LOAD ON THE BASEMENT & ON THE RAIL SUPPORT**

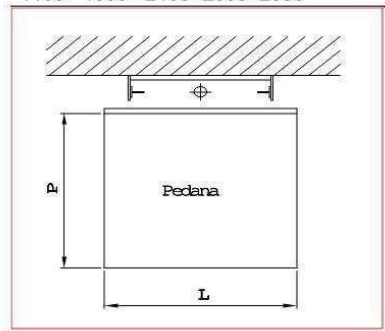
**PROJECT DATA**



Q =	400	Kg
L =	1400	mm
P =	1100	mm
A =	830	mm
B =	900	mm
C =	650	mm

- Q = Load
- L = Platform width
- P = Platform depth
- A = Distance between "P2" load
- B = Base plate width
- C = Distance between connection

TRAVEL (mm)  
1100 - 1600 - 2100 -2600 -2990



**VERTICAL LOAD OF THE EQUIPMENT ON THE BASEMENT PLATE**

	P2 (kg)	
TRAVEL 1100	480	_____
TRAVEL 1600	490	_____
TRAVEL 2100	500	_____
TRAVEL 2600	510	_____
TRAVEL 2990	520	_____

**HORIZONTAL LOAD OF THE EQUIPMENT ON THE RAIL FIXING**

	Centred load F (kg)	Maximum load decentralized on the platform F (kg) T (kg)	
TRAVEL 1100 - 1600 - 2100 -2600 -2990	251	221	76

