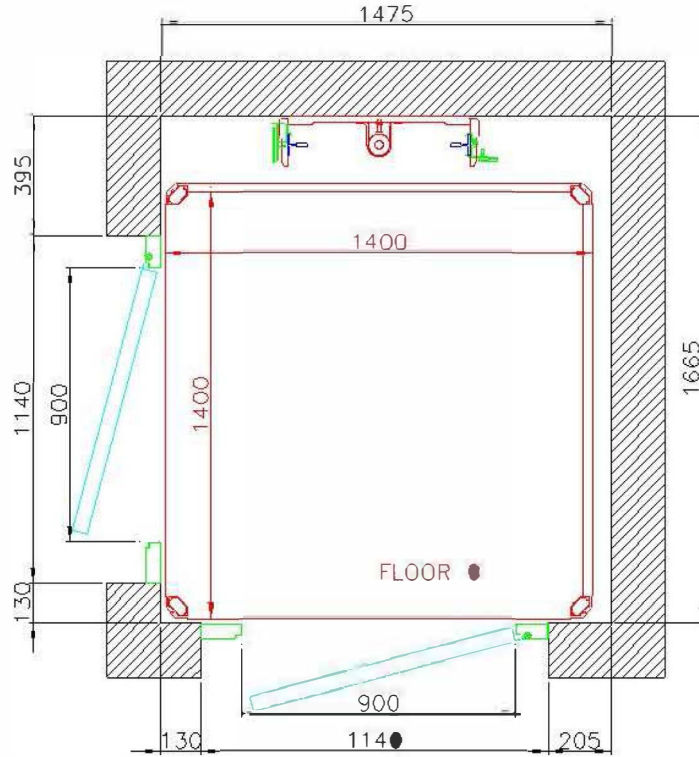


**NOTE THIS DRAWING IS FOR GUIDANCE ONLY AND MUST NOT BE USED AS A PROPER WORKING DRAWING. FOR ENQUIRIES ABOUT THE LIFT PLEASE CONTACT 061 922 903**

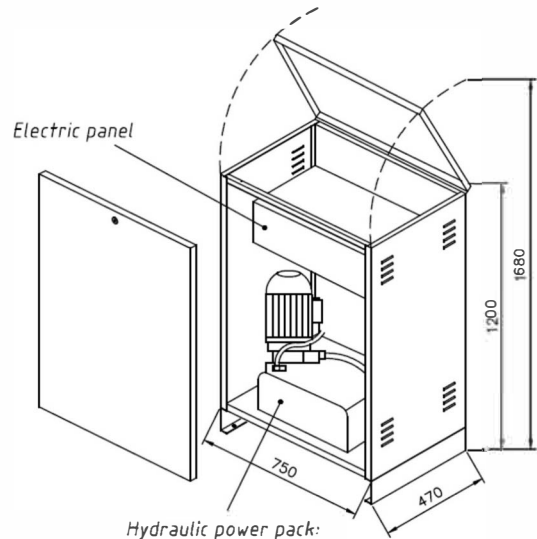


**LIFT STD SPECIFICATION**

- Load capacity - 500kg
- Drive system - Hydraulic 2:1 Roped
- Speed - 0.15 m/s
- Maximum number of stops - 4
- Maximum Travel - 8.5m
- Pit Depth - 120mm
- Minimum Headroom - 2270mm
- Power - 230V-mono AC – 50Hz
- Motor - 1.8 kW
- Cabin COP - Horizontal Integrated
- Car Controls - Constant Pressure
- Landing Controls - One Touch
- Cabin Ceiling - Halogen Spotlights
- Cabin Finish - Skin-plate
- Door Type - Swing
- Door Finish - RAL 7040
- Communication - Telephone
  
- Structure - Shaft by Others
- Structure Finish - Built to withstand the loadings issued on Job specific drawings.

**Options**

- LCD Display
- Voice Announcement
- Cabin Mirror
- Handrail
- Auto-dialer
- Numerous Cabin Finishes
- Various door options
- 60min Fire rated doors
- Alternative RAL Finishes to Doors



Hydraulic Cabinet, to be sited within 12 metres of the lift shaft.  
A 100mm conduit run for cables & hoses needs to be provided.



**PREMIER LIFTS**  
www.lifts.ie

Premier Lifts, Glean Glas House,  
Tuamgraney, Co. Clare, Ireland.  
Tel: 061 922 903 Email: info@lifts.ie  
Fax: 061 922 904 Web: www.lifts.ie

VPL800 – Shaft by Others -1400mm x 1400mm		
Adjacent Entry/Exit – Swing doors		
DWG NO - 0033		REV - A
SCALE NTS	DATE 14/11/2017	DRAWN APG