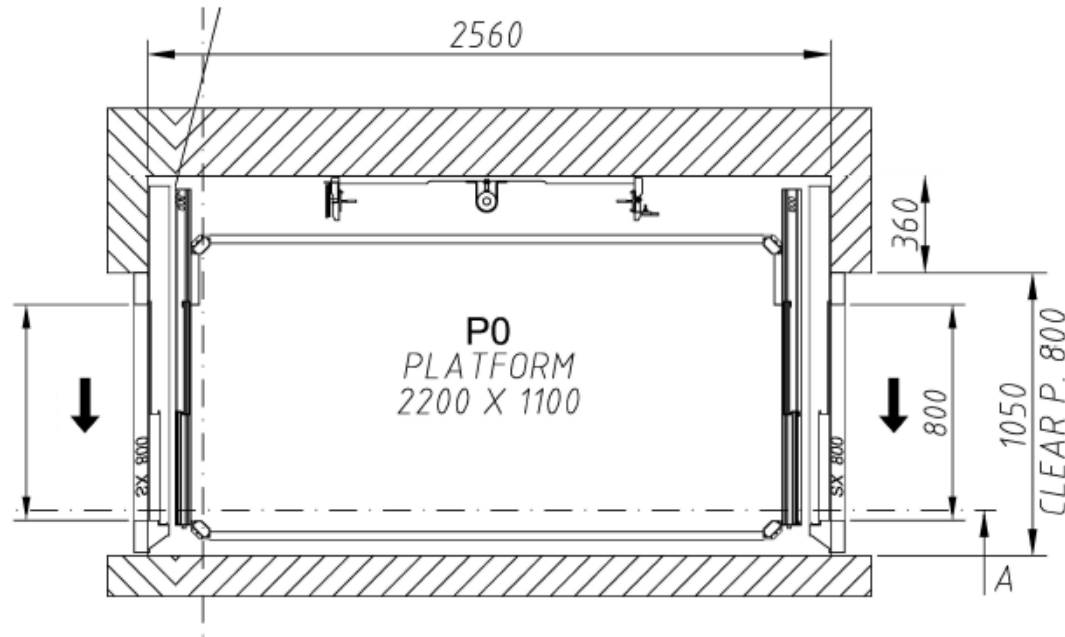
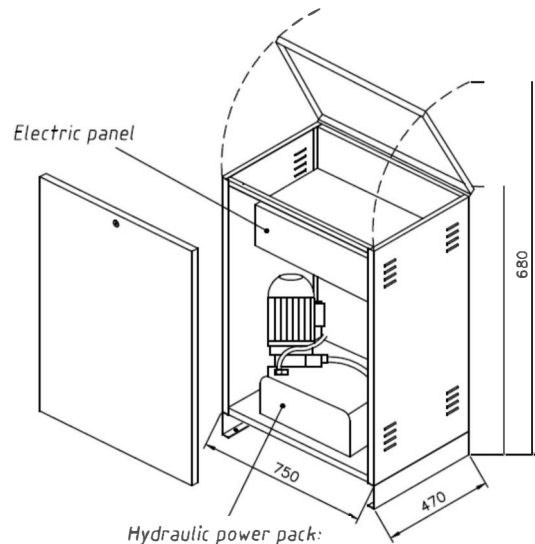


**NOTE THIS DRAWING IS FOR GUIDANCE ONLY AND MUST NOT BE USED AS A PROPER WORKING DRAWING. FOR ENQUIRIES ABOUT THE LIFT PLEASE CONTACT 061 922 903**



**LIFT STD SPECIFICATION**


Load capacity	500kg
Drive system	Hydraulic 2:1 Roped
Speed	0.15 m/s
Maximum number of stops	4
Maximum Travel	8.5m
Pit Depth	120mm
Minimum Headroom	2600mm
Power	230V-mono AC – 50Hz
Motor	1.8 kW
Cabin COP	Horizontal Integrated
Car Controls	Constant Pressure
Landing Controls	One Touch
Cabin Ceiling	Halogen Spotlights
Cabin Finish	Skin-plate
Door Type	Swing
Door Finish	RAL 7040
Communication	Telephone



*Hydraulic Cabinet, to be sited within 12 metres of the lift shaft. A 100mm conduit run for cables & hoses needs to be provided.*

**Options**

- LCD Display
- Voice Announcement
- Cabin Mirror
- Handrail
- Auto-dialer
- Numerous Cabin Finishes
- Various door options
- 60min Fire rated doors
- Alternative RAL Finishes to Structure & Doors

 <b>PREMIER LIFTS</b> <a href="http://www.lifts.ie">www.lifts.ie</a>	VPL800 – Self Supporting Structure	
	2200mm x 1100mm	
Through Entry/Exit – Swing doors		
DWG NO - 0029	REV - A	
SCALE	DATE	DRAWN
NTS	14/11/2017	APG

Premier Lifts, Glean Glas House,  
 Tuamgraney, Co. Clare, Ireland.  
 Tel: 061 922 903 Email: [info@lifts.ie](mailto:info@lifts.ie)  
 Fax: 061 922 904 Web: [www.lifts.ie](http://www.lifts.ie)